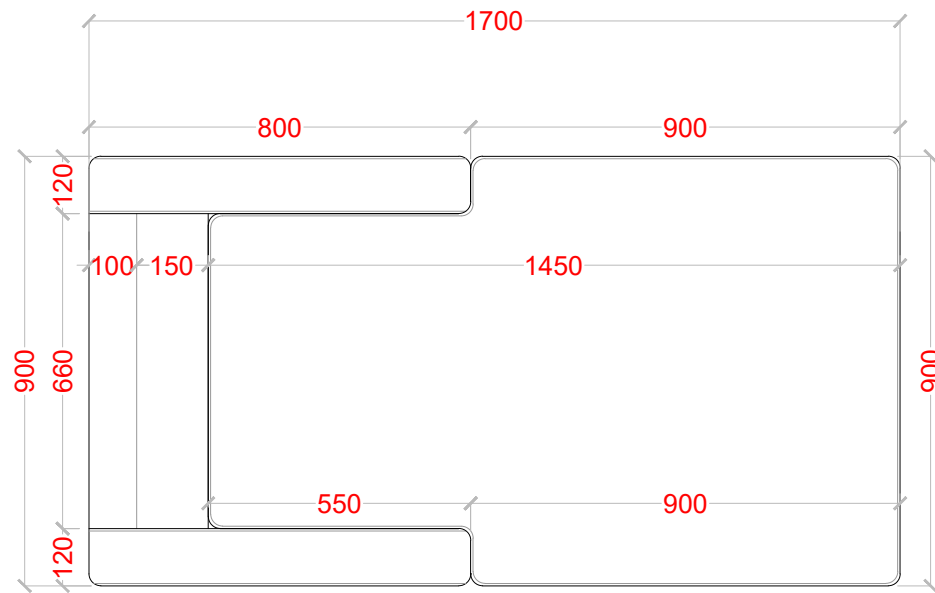
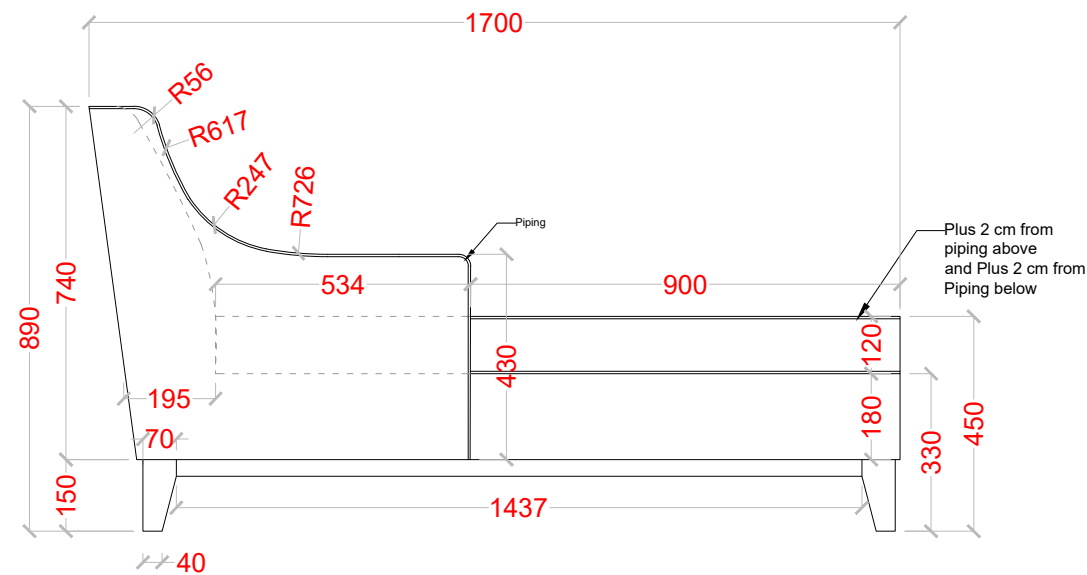


Taylor CHAISE

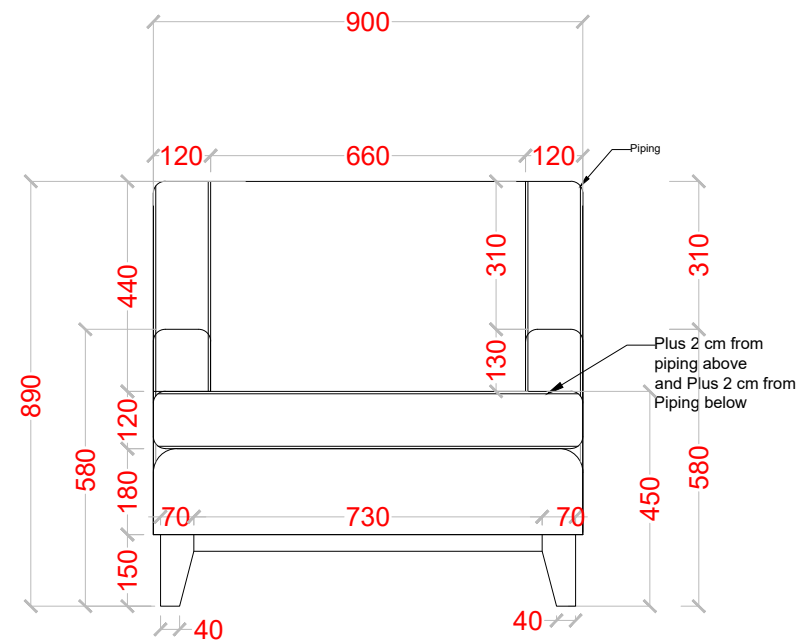
1700x900x860h mm
Product Code:No code



Top View



Side View



Front View

A3	Notes	Scale	Supplier	Product Code		
	Design by Ventura Design . Notify Company of Any Discrepancies. Note this is not a legal or construction drawing. Please contact Ventura Design if any clarification is required. Check Dimensions On site. Do not scale drawing. Use Figured Dimensions only.	1/10	Costing	Product Name:	Chaise	
			Material	Approved by:	-	
			Fabric	Drawing:	Date:	Revision:
				Oguzhan	25/08/21	



Ventura Design – WWW.ventura.ie
Block 8, Unit 12, Blanchardstown corporate Park, Ballycoolin, Dublin 15.
Telefax: +353 1 820 8480 Email: info@ventura.ie