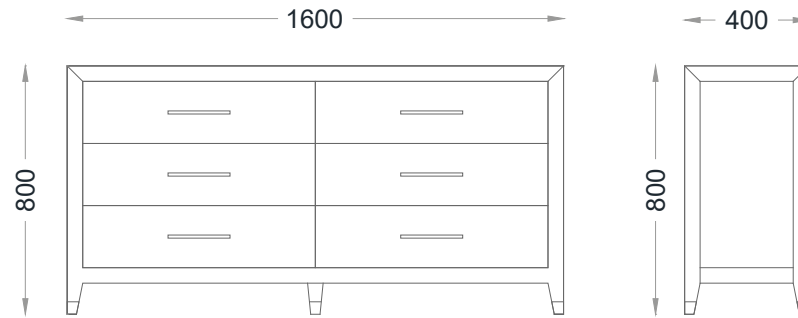


VENTURA | Sullivan Chest Of Drawers



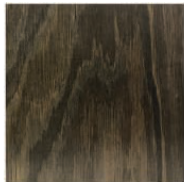
All models are fully customisable in a range of wood and metal finishes. Contact one of our sales advisors to discuss your requirements.

SC26701

Wood Finishes



ANTIQUE
OAK



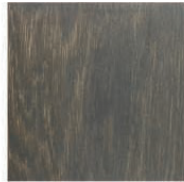
SMOKED
OAK



WEATHERED
OAK



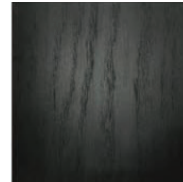
CUBAN
OAK



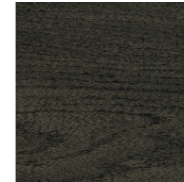
DARK CUBAN
OAK



NORDIC GREY
OAK



CARBON
OAK



ASPEN
OAK



EBONY
OAK

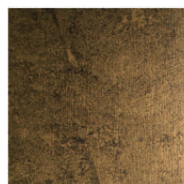
Metal Finishes



BOLD



PLATINUM



GOLD 1



AGED
BRASS